



m

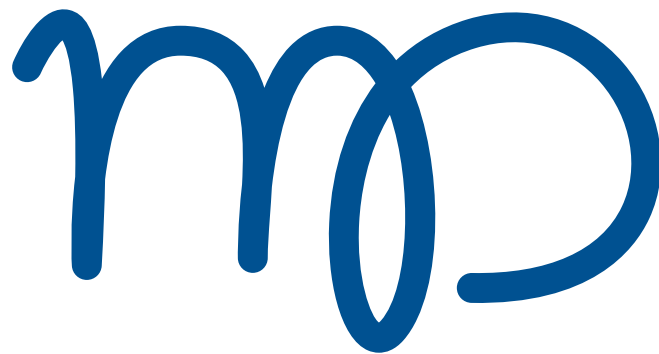
Molder Disnova Composites



POOL  
GARDEN AND  
DECORATION

*At Molder Disnova we work to  
offer **quality products**  
**tailored** to your needs.*

*Manufactured in Spain*



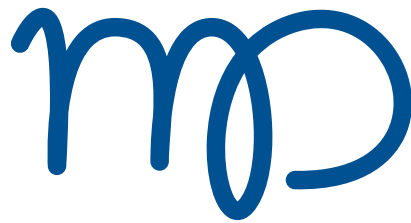
**Molder Disnova Composites**

# Polyethylene

- Polyethylene is a material that absorbs impacts very well, has great resistance to breakage, although it will not splinter if it occurs
- Color is present throughout the material, not like a surface paint, so it will keep looking good despite use.
- Does not allow moisture penetration
- Not pollute the environment
- 100% recyclable material
- Corrosion resistant
- UV lights resistant
- Not need maintenance

**100%**  
RECYCLABLE

**MATERIALS**



## Glass Reinforced Polyester

- Specially designed material for outdoor use
- Colors remain unchanged for a long time
- High strength and toughness compared to its low weight.
- It can be made of fire retardant material
- Safe and smooth surface. A great advantage in products for children
- ZERO toxicity



m

Molder Disnova Composites

**Slides**

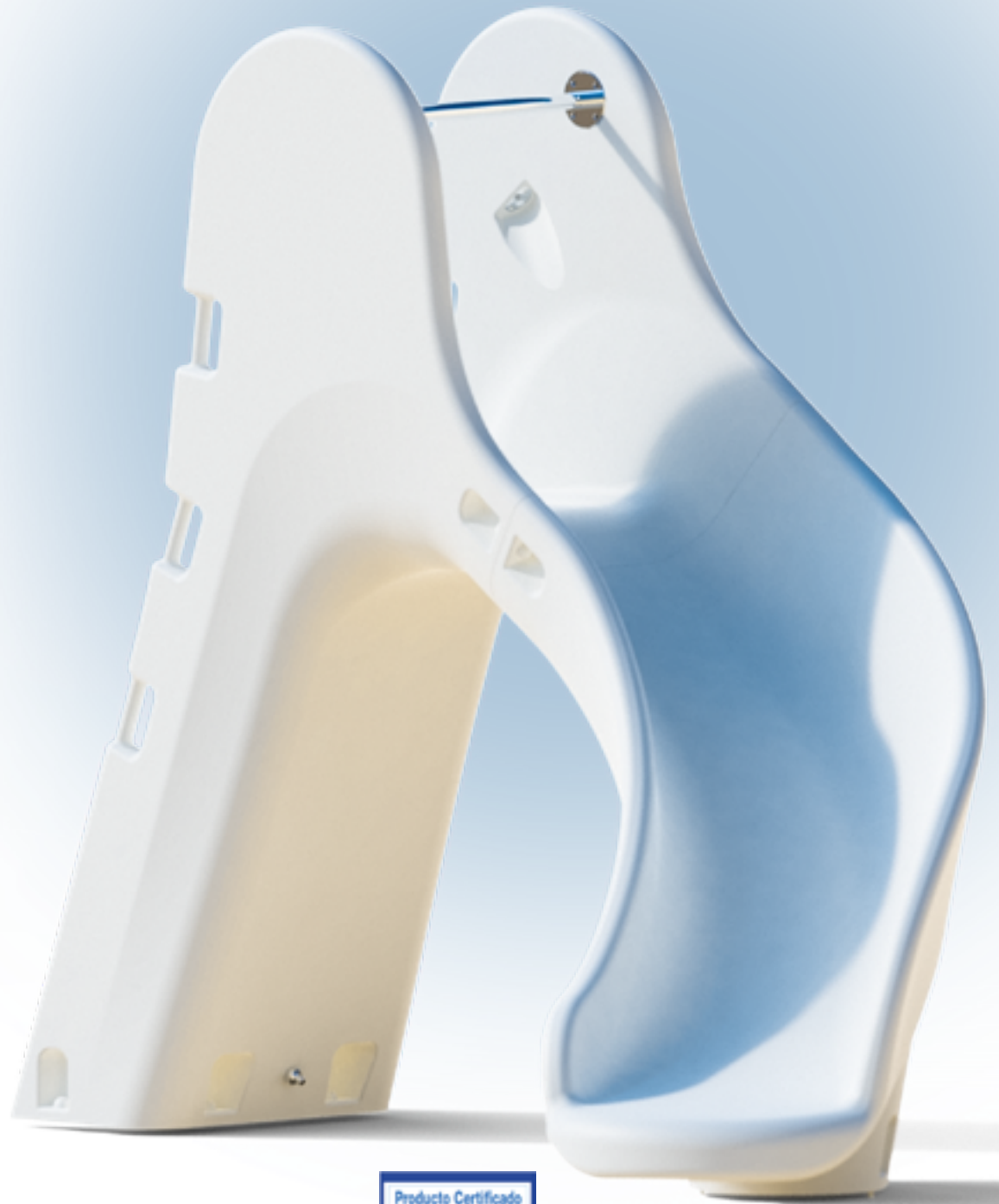
**Springboard**

**Sinks**

**POOL**

# CURVED POOL SLIDE

- Made of rotomolded polyethylene with high impact resistance
- **100% recycled and recyclable** polyethylene
- Ladder with integrated handrail and non-slip steps.
- **stainless steel 316 security bar**
- Integrated hydraulic system
- Suitable for use in indoor and outdoor pools (**UV resistance**)
- **EN 17232:2020 certificate** for Water play equipment and features
- **EN 1176 certificate** for Playground equipment and surfacing
- Available in **two heights with right curve**



## AVAILABLE COLORS:

WHITE  
RAL 9016

BLUE  
RAL 5015



**100%**  
RECYCLED

**Molder Disnova Composites**  
[www.molderdisnova.com](http://www.molderdisnova.com)



# CURVED POOL SLIDE

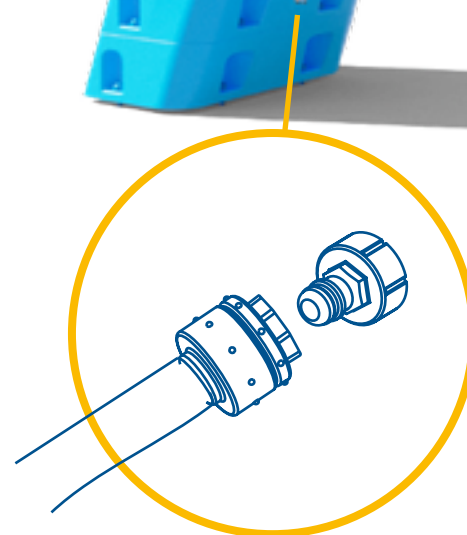
## Features

- Spray water outlet to hydrate the track



- Security bar
- Resistance to loads up to 625 kg
- Non-slip steps

625  
kg

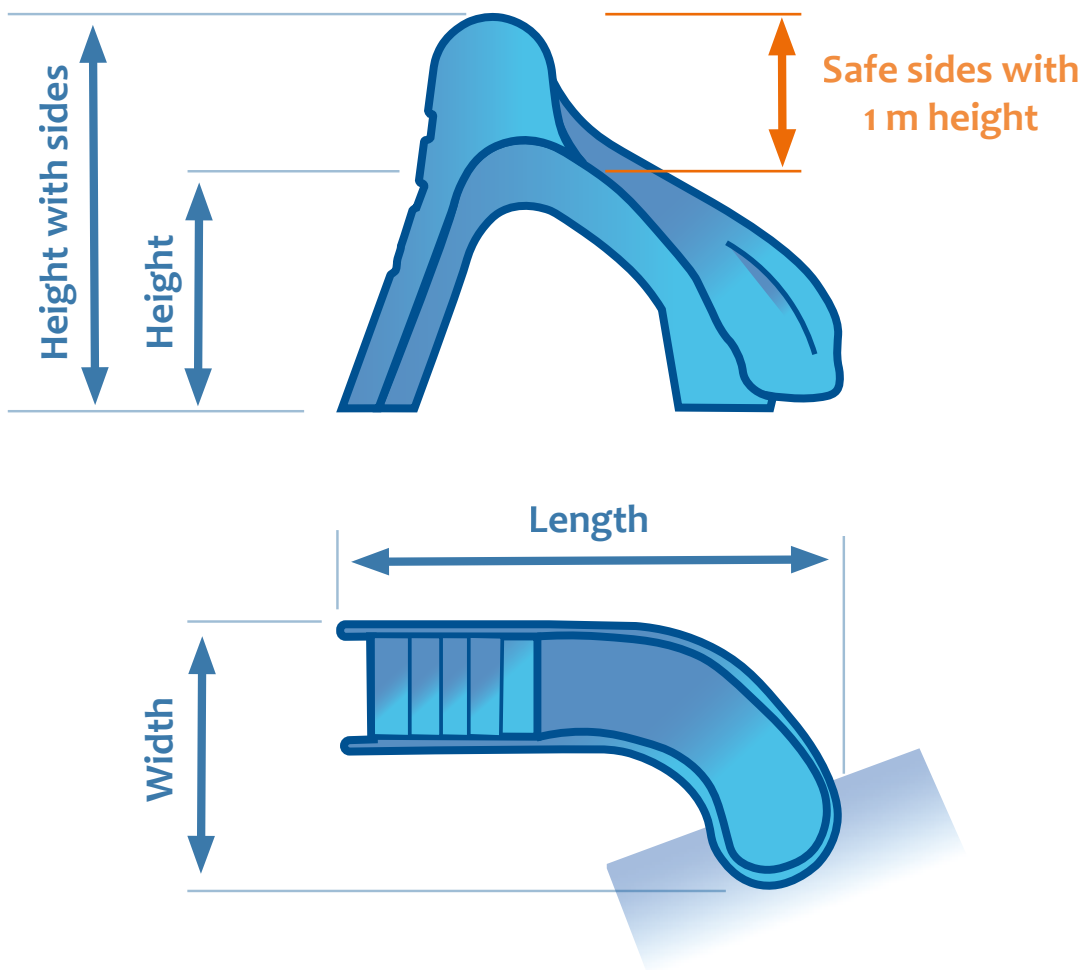


- Water intake compatible with common garden hoses and salt water

**Molder Disnova Composites**  
[www.molderdisnova.com](http://www.molderdisnova.com)



# CURVED POOL SLIDE



Measures in mm

Model	Height	Height with sides	Length	Width
Curved Pool Slide H130	1300	2303	2936	1532
Curved Pool Slide H150	1.500	2503	3294	1532



# CURVED POOL SLIDE

Curved Pool Slide  
H130



Installation requirements

## Packaging

Supplied in 2  
parts

1 pallet - 120 x 250 x 187 cm  
115 kg

Curved Pool Slide  
H150



Installation requirements

Supplied in 4  
parts

1 pallet - 120 x 250 x 187 cm  
130 kg

On-site fixing screws included

**Molder Disnova Composites**  
[www.molderdisnova.com](http://www.molderdisnova.com)





# DELFI PISICINAS

- **Security bar** made of stainless steel AISI 316.
- Made of **Glass Reinforced Polyester** with **UV protection**
- Safety caps and stainless hardware included.
- Access aid handles
- High-rise railings
- Water intake
- Non-slip steps
- Foot support made of stainless steel AISI 316.



## AVAILABLE COLORS:

GREY  
RAL7040

LIGHT GREEN  
RAL 6018

ORANGE  
RAL 2009

WHITE  
RAL 9016

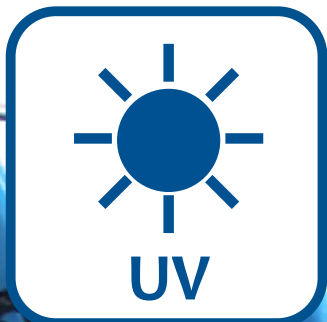
BLUE  
RAL 5015

YELLOW  
RAL 1018

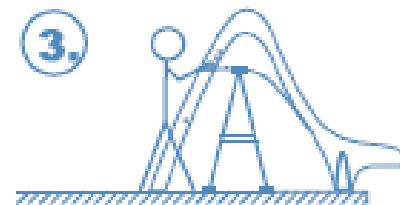
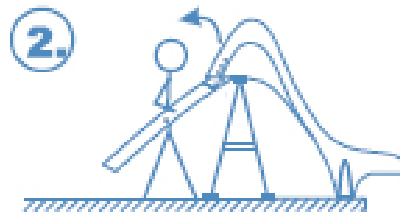


# DELFIPIUSICINAS

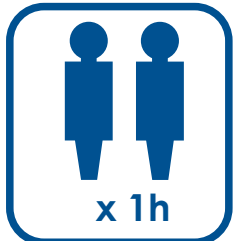
## Features



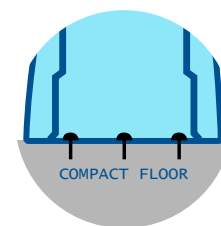
## Easy installation



ARE SUPPLIED  
IN TWO PIECES:  
TRACK &  
STAIRS



INSTALLATION  
IN COMPACT  
FLOOR



\* The slide must  
be fixed both  
in the area of  
the front foot  
and in the area  
of the rear  
staircase.

Minimum depth of  
foundations  
40 cm.

All our DelfiPools models are resistant to water and solar radiation.

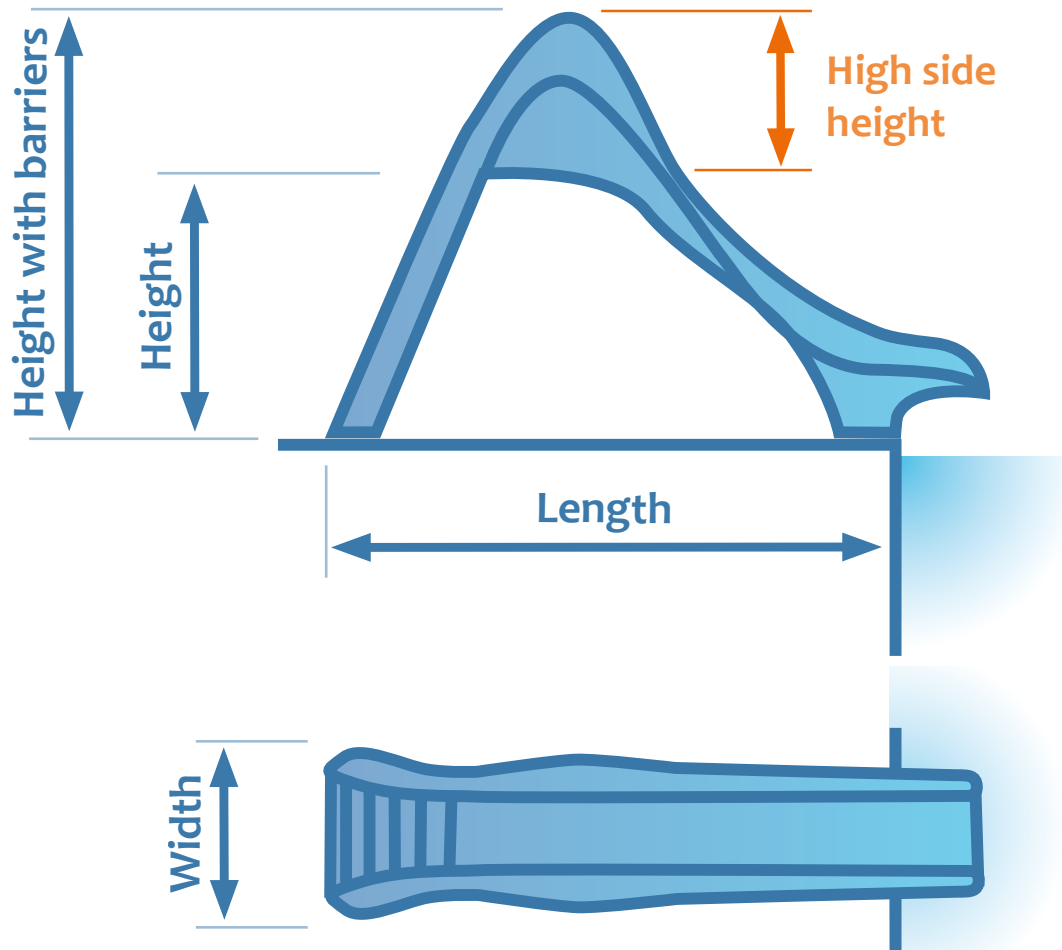
They have a safety bar, aluminum handles, high barriers and non-slip steps to prevent falls.

Water flows out of the seat bar to keep the track wet.

The screws are protected with vandal-proof caps.



# STRAIGHT DELFIPISCINAS



Model	Height	Height with barriers	Length	Width	Maximum weight
Straight Delfipiscinas 125	1.250	1.960	2.650	750	625 kg
Straight Delfipiscinas 150	1.500	2.210	2.480	830	750 kg
Straight Delfipiscinas 175	1.750	2.470	2.800	830	750 kg



# STRAIGHT DELFIPISCINAS

Straight  
Delfipiscinas 125



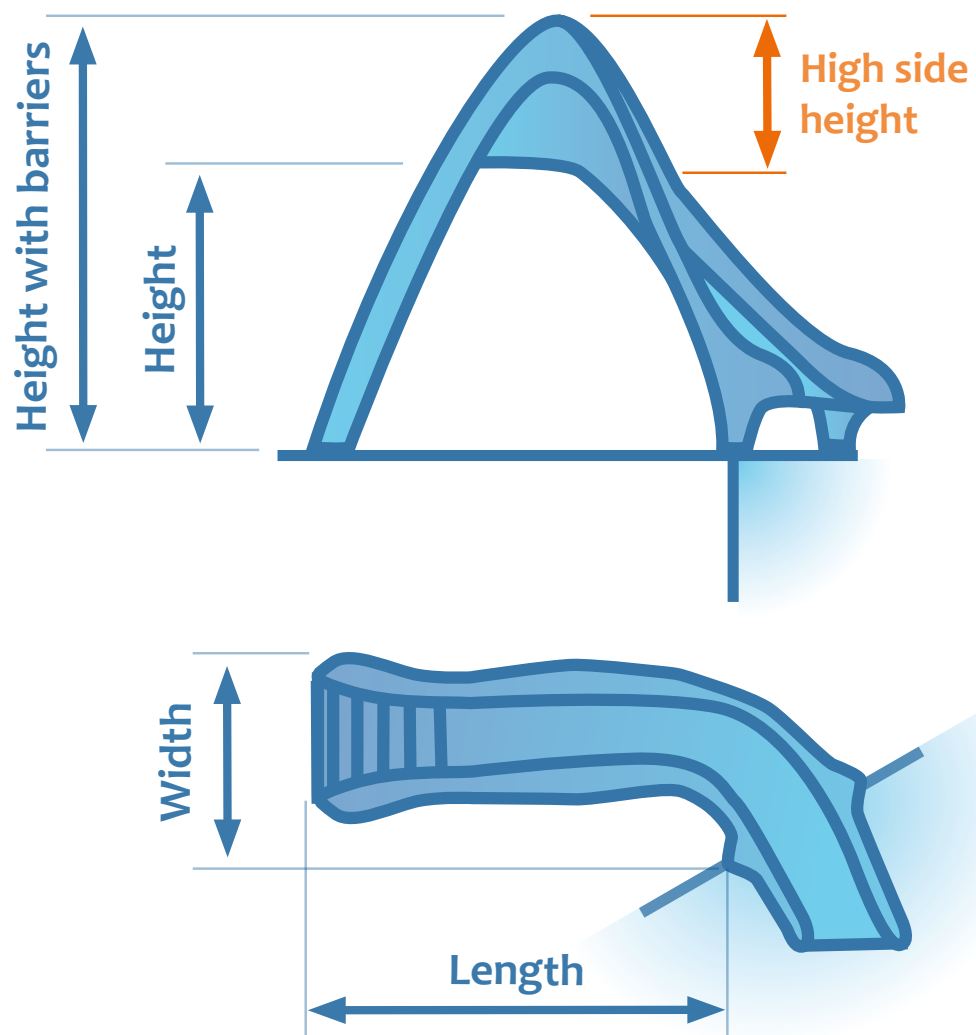
Straight  
Delfipiscinas 150



Straight  
Delfipiscinas 175



# CURVED DELFIPISICINAS



Model	Height	Height with barriers	Length	Width	Maximum weight
Delfi. P. Curve Left 150	1.500	2.250	2.110	1.210	750 kg
Delfi. P. Curve Right 150	1.500	2.250	2.110	1.210	750 kg
Delfi. P. Curve Left 175	1.750	2.500	2.450	1.210	750 kg
Delfi. P. Curve Rightw 175	1.750	2.500	2.450	1.210	750 kg



# CURVED DELFIPISCINAS

4 DIFFERENT MODELS



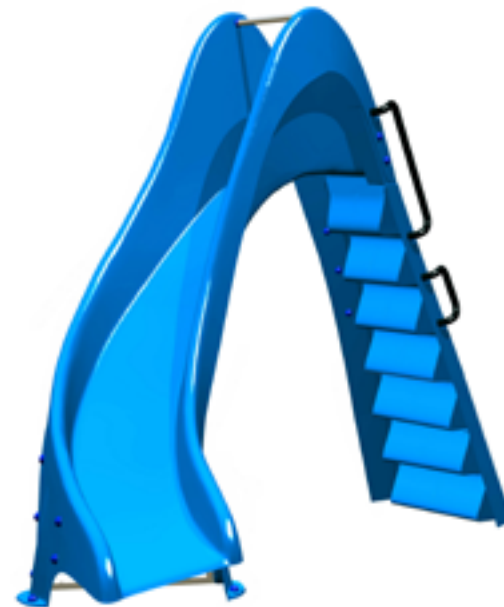
Right Curved  
Delfipiscinas 150



Right Curved  
Delfipiscinas 175



Left Curved  
Delfipiscinas 150

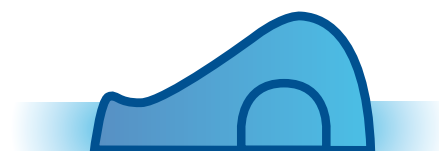


Left Curved  
Delfipiscinas 170

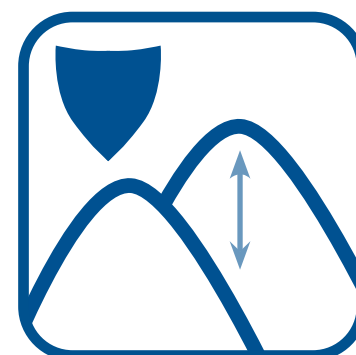
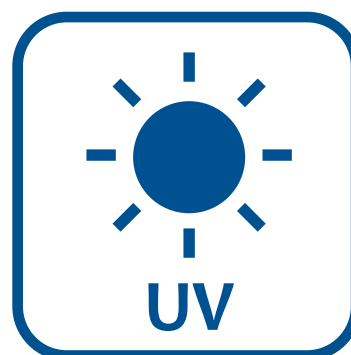
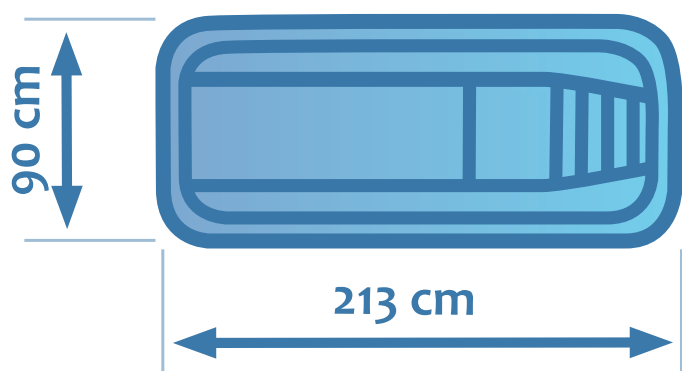
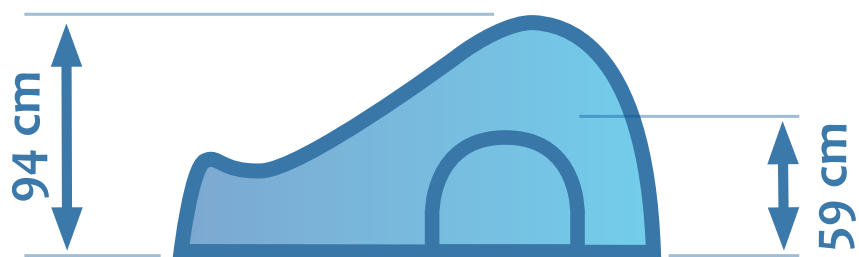




# BOBY



Maximum depth of the water surface 40 cm



## AVAILABLE COLORS:

GREY  
RAL7040

LIGHT GREEN  
RAL 6018

ORANGE  
RAL 2009

WHITE  
RAL 9016

BLUE  
RAL 5015

YELLOW  
RAL 1018





# Custom products

!We adapt to you!

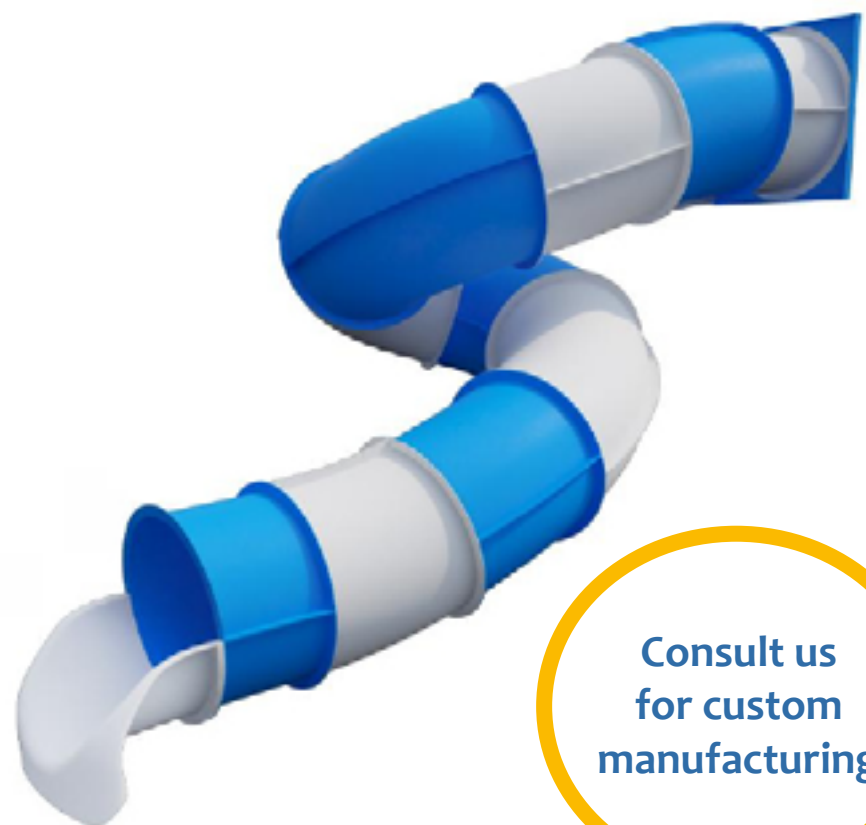


# CUSTOM TUBES

Our tube slides can adapt to any configuration: spiral tubes, straight tubes, meandering tubes and passageways.

Manufactured using RTM injection technology, they offer a high-quality finish along with the great mechanical and durability features of parts made of fiberglass-reinforced polyester.

We work with advanced design programs to offer the best proposals to our clients. Designed according to the requirements of the EN1176 standard.



Consult us  
for custom  
manufacturing

## AVAILABLE COLORS:

GREY  
RAL7040

LIGHT GREEN  
RAL 6018

ORANGE  
RAL 2009

WHITE  
RAL 9016

BLUE  
RAL 5015

YELLOW  
RAL 1018

**Molder Disnova Composites**  
[www.molderdisnova.com](http://www.molderdisnova.com)



# CUSTOM TUBES



Courtesy of: **ISABA**



Courtesy of: **ISABA**

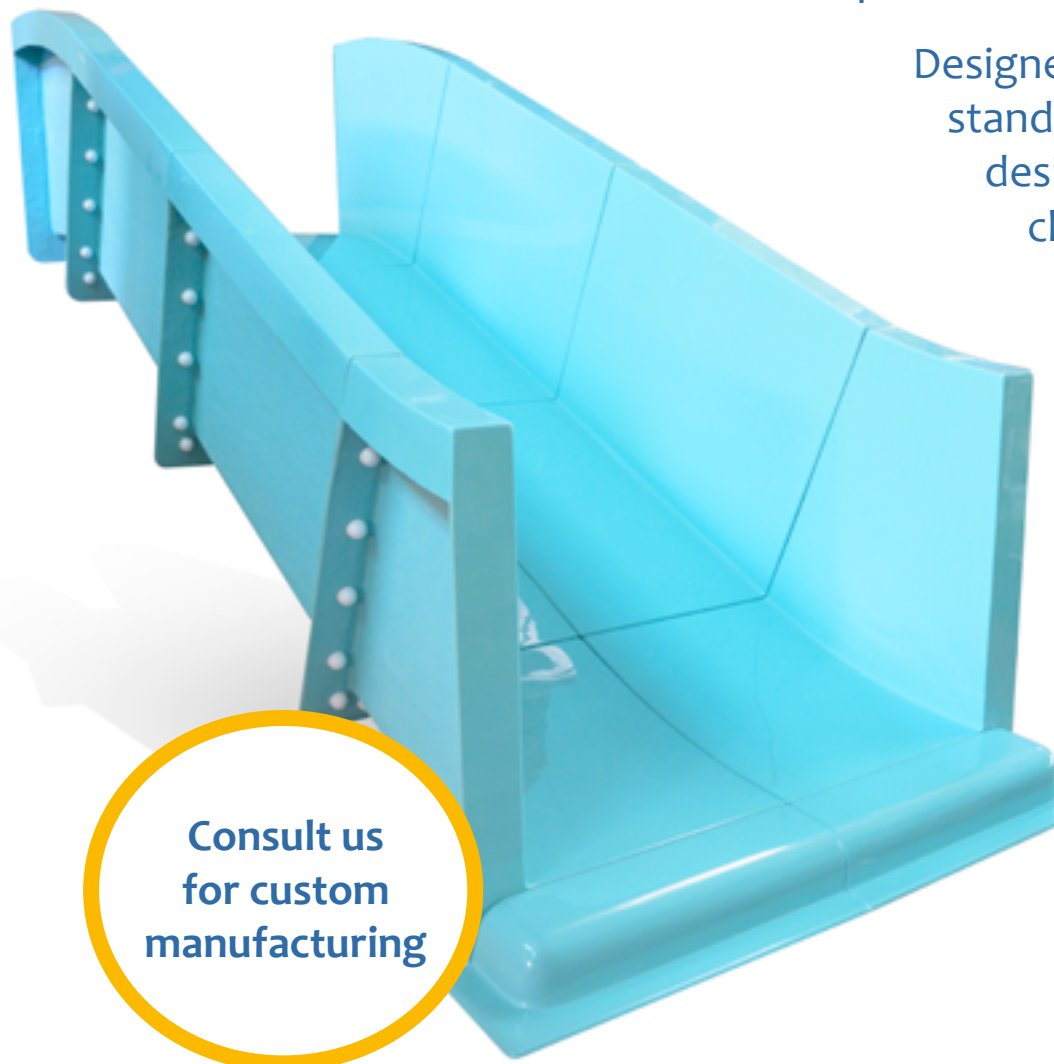
Consult us  
for custom  
manufacturing



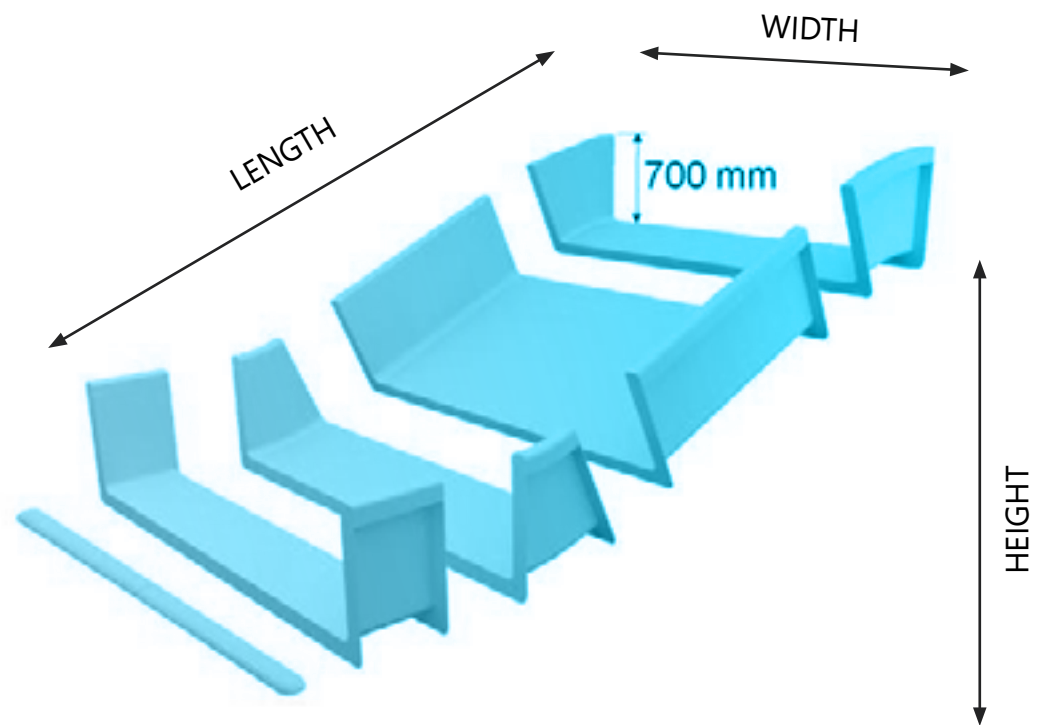
# CUSTOM AQUARIVER

It is possible to obtain a great variety of models thanks to its modular pieces. It can be installed on slopes, pools, platforms...

Designed according to the requirements of the EN1176 standard. Easy installation. We work with advanced design programs to offer the best proposals to our clients



**Slide completely made to measure.** Width from 1 to 5 meters and with the development that is requested.



Consult us for custom manufacturing

**AVAILABLE COLORS:** (Color combination is also possible)

GREY  
RAL7040

LIGHT GREEN  
RAL 6018

ORANGE  
RAL 2009

WHITE  
RAL 9016

BLUE  
RAL 5015

YELLOW  
RAL 1018



**Molder Disnova Composites**  
[www.molderdisnova.com](http://www.molderdisnova.com)

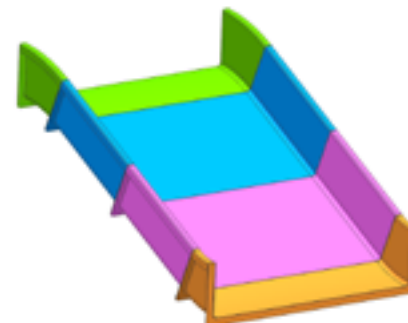
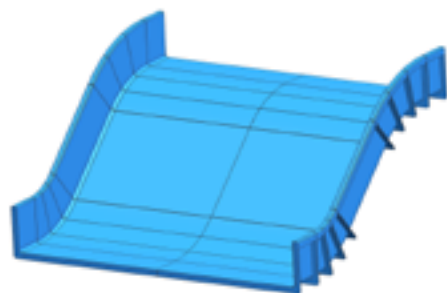
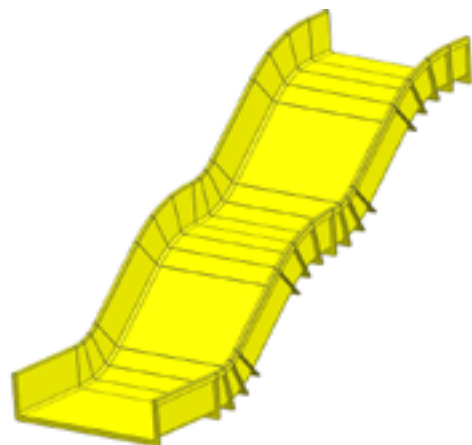
# CUSTOM AQUARIVER

Consult us  
for custom  
manufacturing

Example of  
width 1 m  
high 2 m

Example of  
width 3 m  
high 2 m

Example of  
width 2 m  
high 3,3 m



# CUSTOM AQUARIVER



Consult us  
for custom  
manufacturing



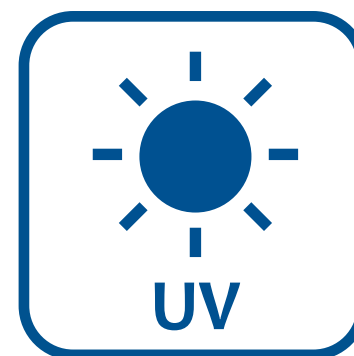
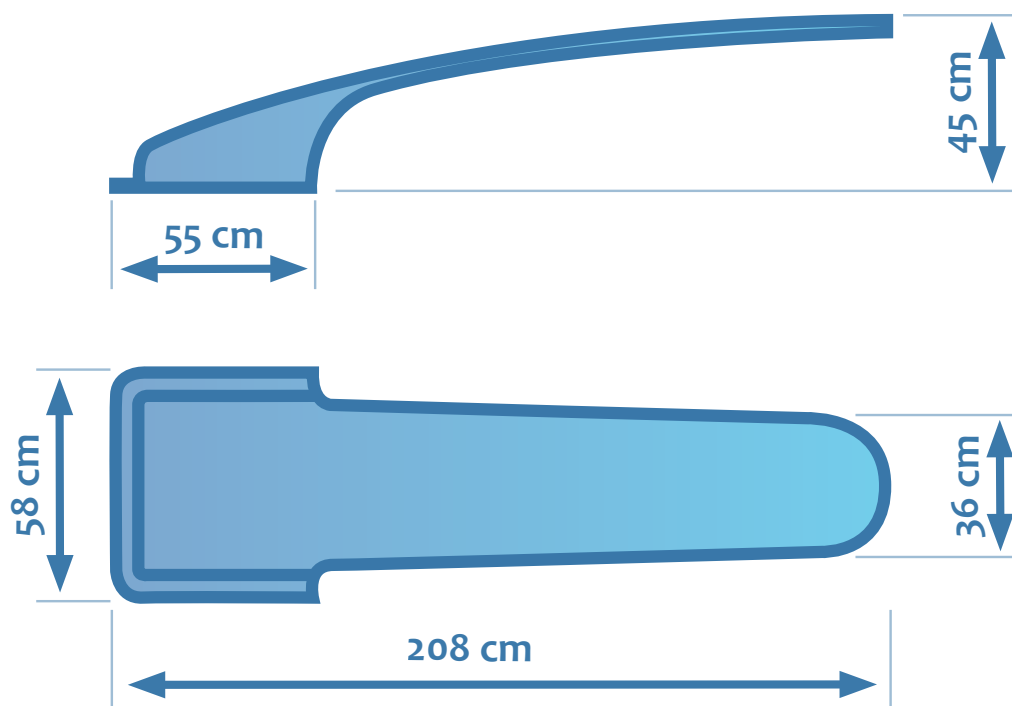
# Springboard PRÁCTIC

Springboard made of polyester and fiberglass, with non-slip engraving on the surface.

High resistance to wear and UV rays.

For use in private pools. Supplied with anchors.

**Recommended minimum age: 5 years**



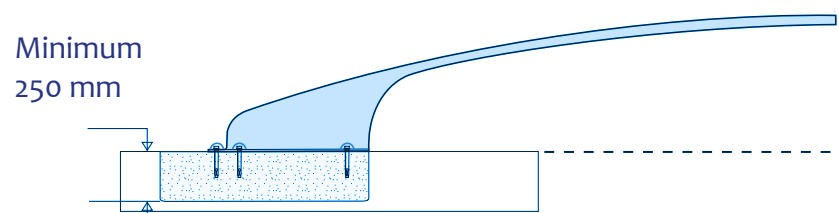
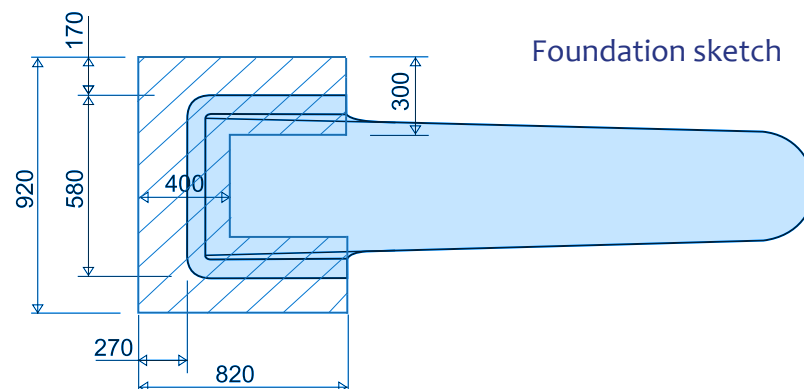
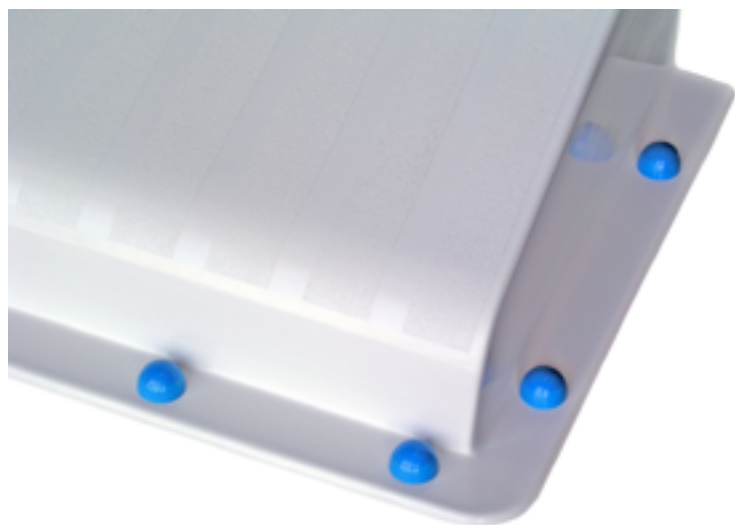
White  
RAL 9016

Blue  
RAL 5015

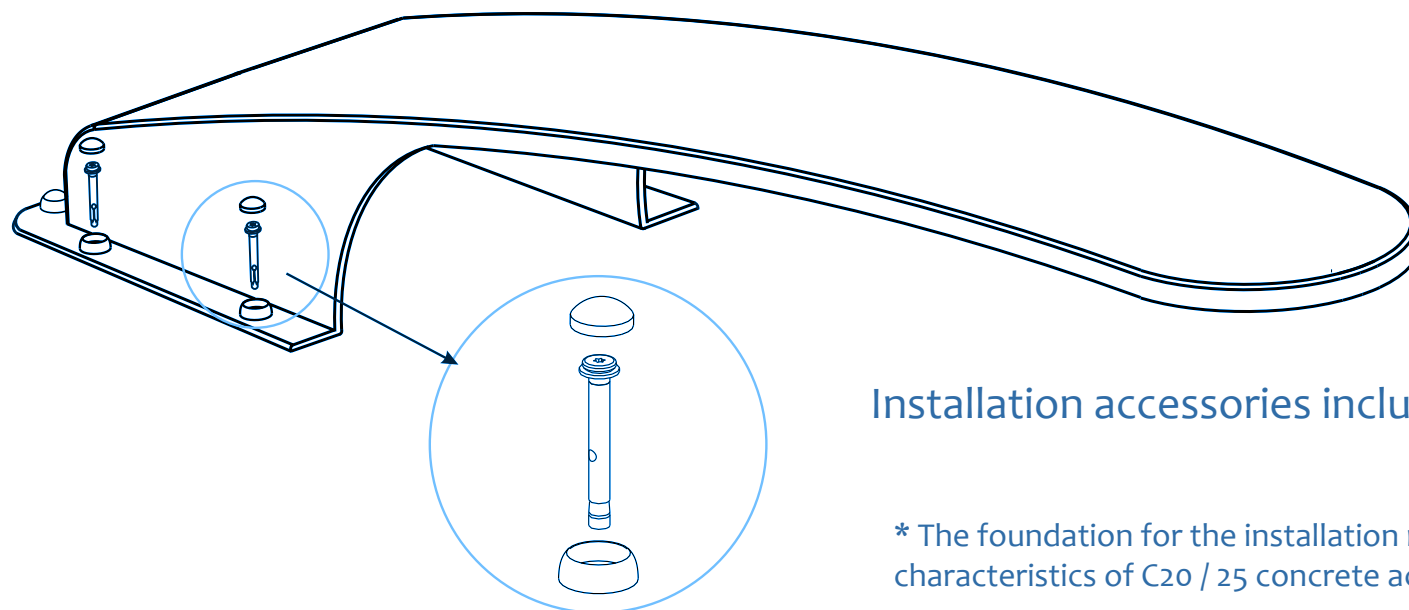


# Springboard PRÁCTIC

## Foundation & installation



Minimum recommended pool depth in the installation area 1.5m. \*

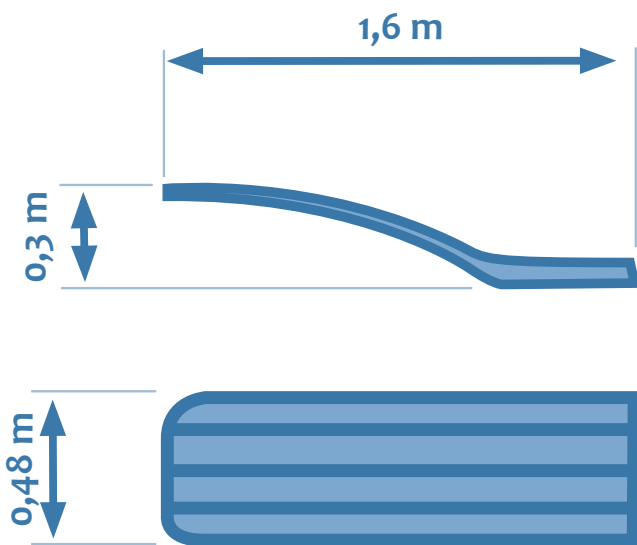


Installation accessories included.

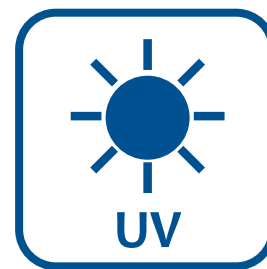
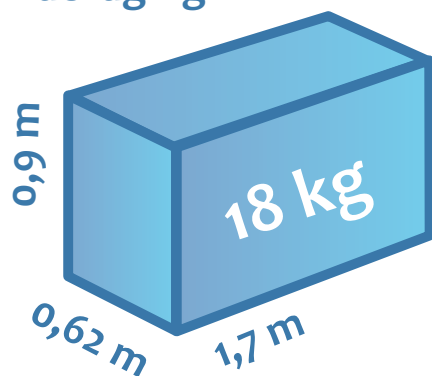
\* The foundation for the installation must at least comply with the characteristics of C20 / 25 concrete according to ENV206.



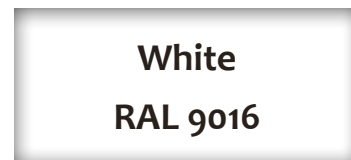
# Springboard BALI



## Packaging



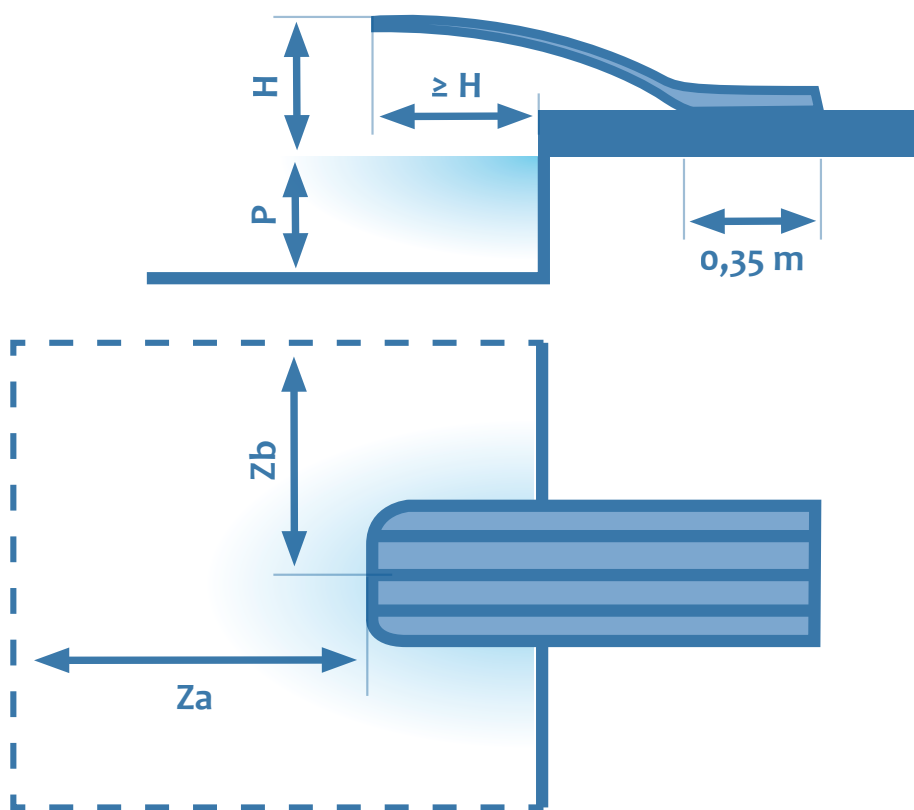
Wide trampoline made of polyester reinforced with fiberglass. It has a non-slip surface and is suitable for both public recreational pools and private pools. Designed according to EN 13451-10. Supplied with anchors.



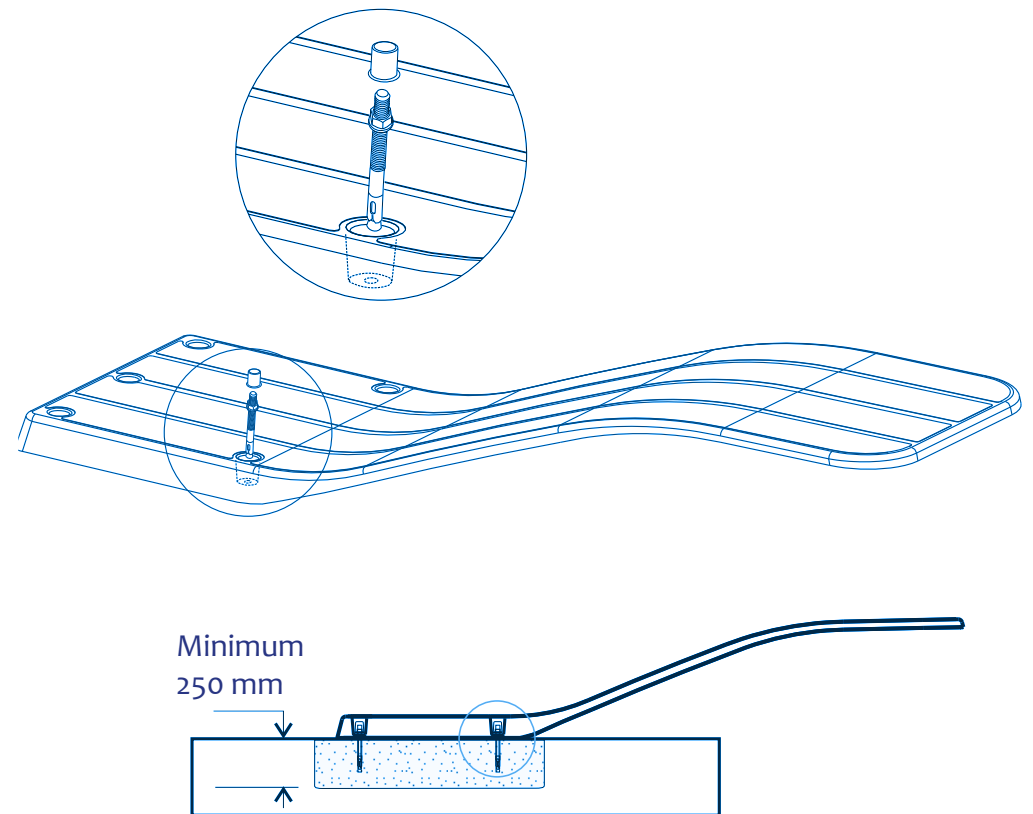


# Springboard BALI

## Dimensions



## Foundation & installation



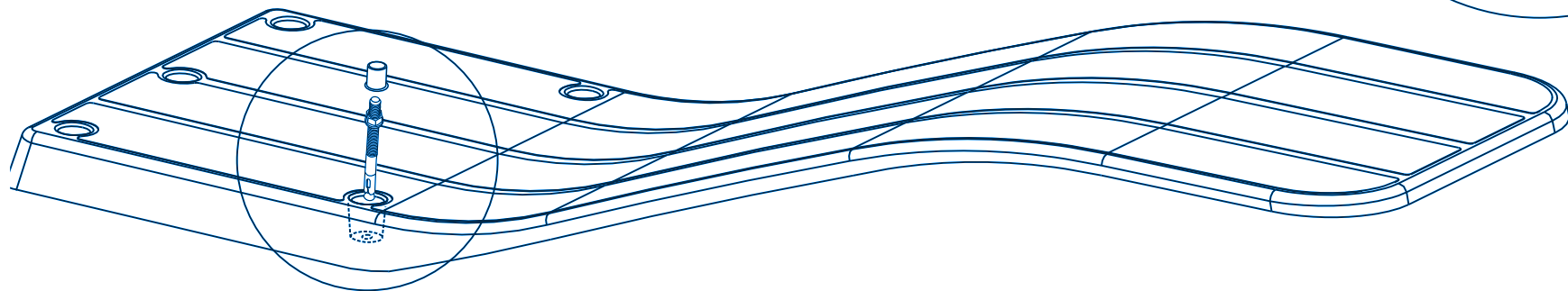
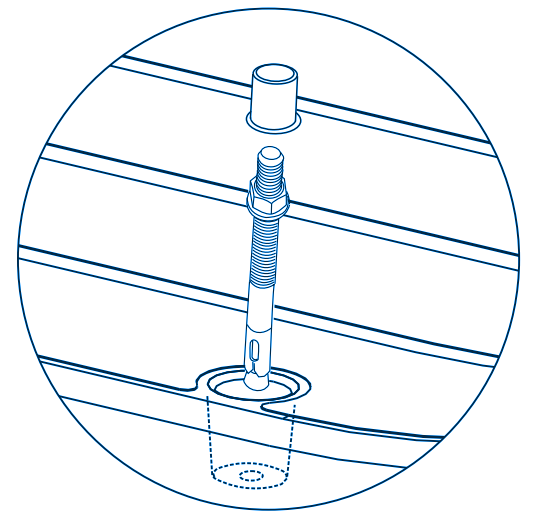
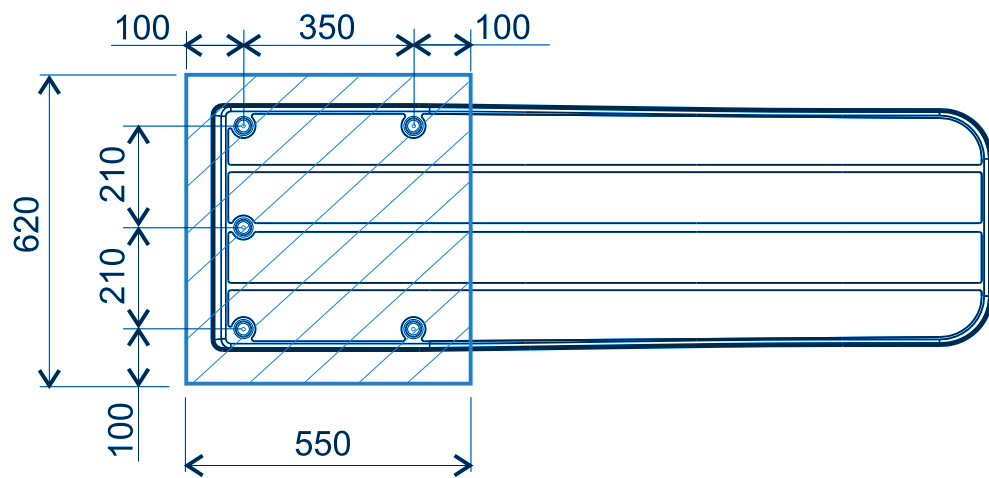
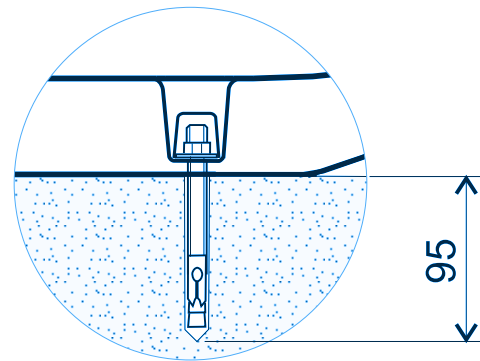
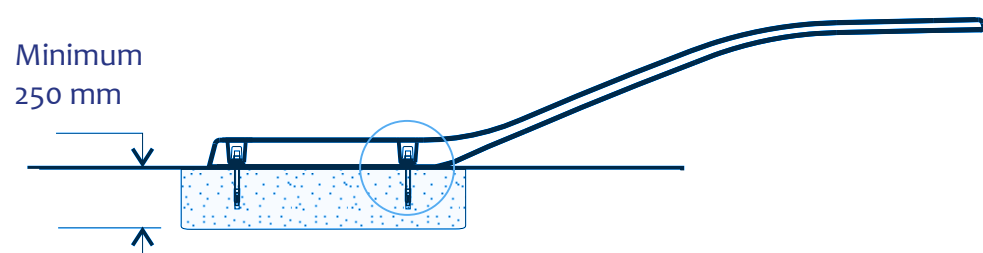
\* The foundation for the installation must at least comply with the characteristics of C20 / 25 concrete according to ENV206.

Model	P	Za	Zb	H
Public pools * Norm EN-13451-10	3,4 m	9 m	2,5 m	< 1m
Private pools	2 m	7 m	2 m	< 1m



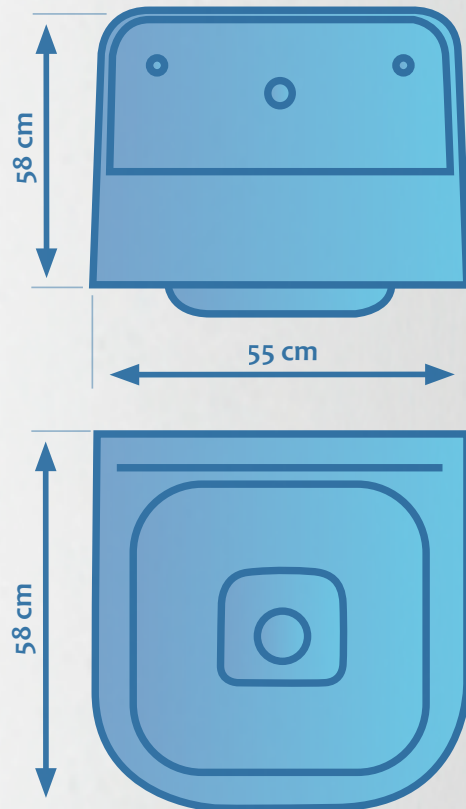
# Springboard BALI

## Foundation & installation



# CHILDREN WASHBASINS

Model 40 cm for one user

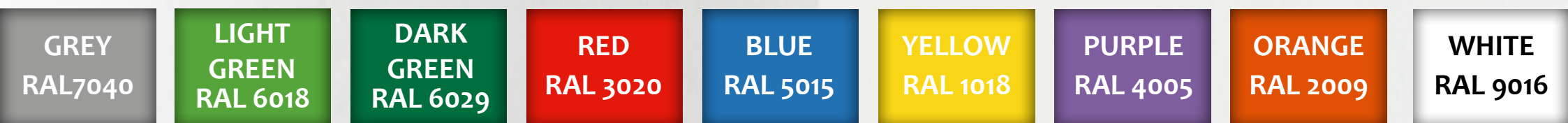


Children washbasins made of high resistance GRP.

Designed with attention to ergonomics and safety in use by the little ones.

They do not need a support structure. They include an easy-to-use tap and drain valve. Easy cleaning. Easy installation: directly to the wall with included dowels and screws.

## AVAILABLE COLORS



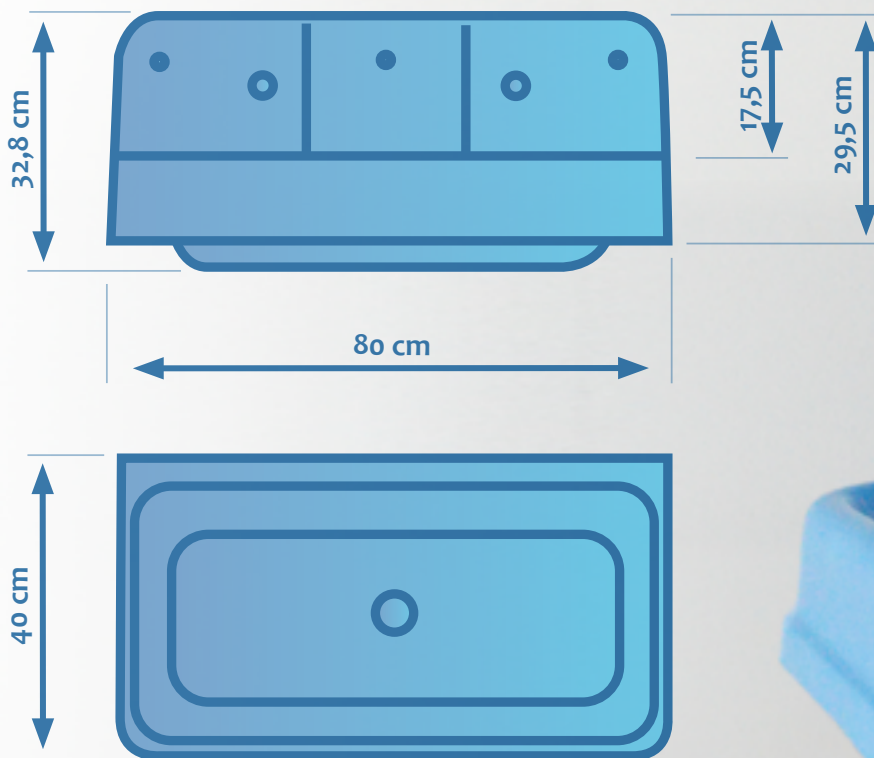
# CHILDREN WASHBASINS

Model 40 cm for one user



# CHILDREN WASHBASINS

Model 80 cm for two users



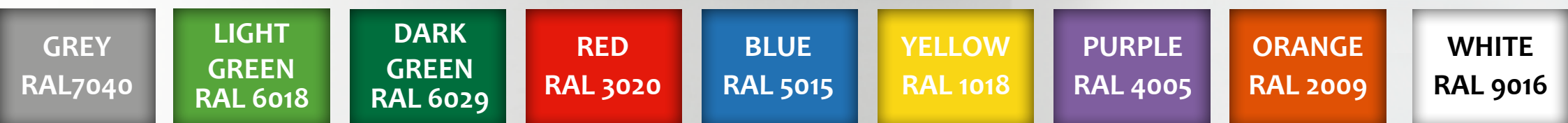
Children washbasins made of high resistance GRP.

Designed with attention to ergonomics and safety in use by the little ones.

They do not need a support structure. They include 2 easy-to-use taps and a drain valve. Easy cleaning.

Easy installation: directly to the wall with included dowels and screws.

## AVAILABLE COLORS



# CHILDREN WASHBASINS

Model 80 cm for two users



**Custom products**

**Slides**

**Furniture**

**Planters**

**Ashtrays**

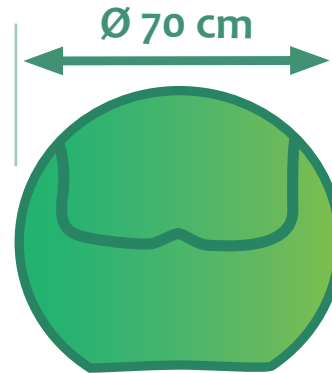
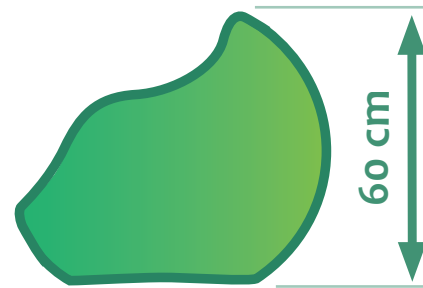


**Molder Disnova Composites**

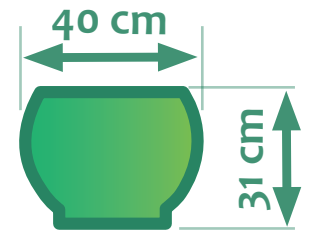
**GARDEN &  
DECORATION**



## Seat



## Table



The Ou seat and table are ideal for decorating any interior or exterior. Its organic shapes adapt perfectly to any environment, giving it a modern look. Create a relaxed and minimalist atmosphere.

It is possible to acquire them in different colors or illuminated whites; with white light or RGB lamp. Made of 100% recyclable polyethylene (PE).





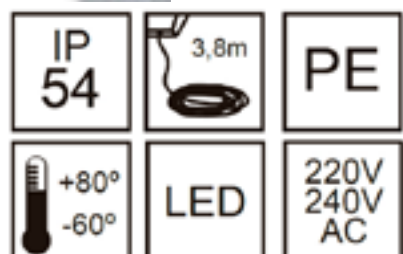
## Color Models



PE

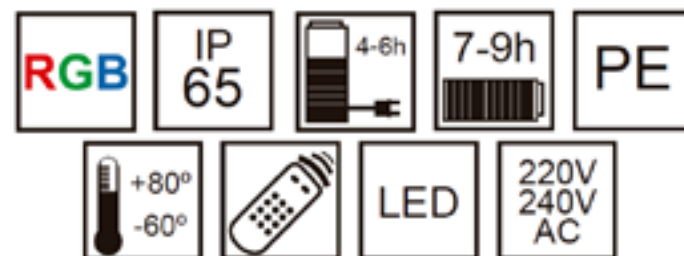
## Illuminated models

### White light / With cable



Made of polyethylene and illuminated with LED technology.  
Connection to the electrical network by means of a 3.8m long cable.

### RGB / With battery



Suitable for indoor and outdoor use. Resistant to rain, snow, sun ...  
Universal remote control (included).  
5 different lighting modes, IP 65 and cable charging.

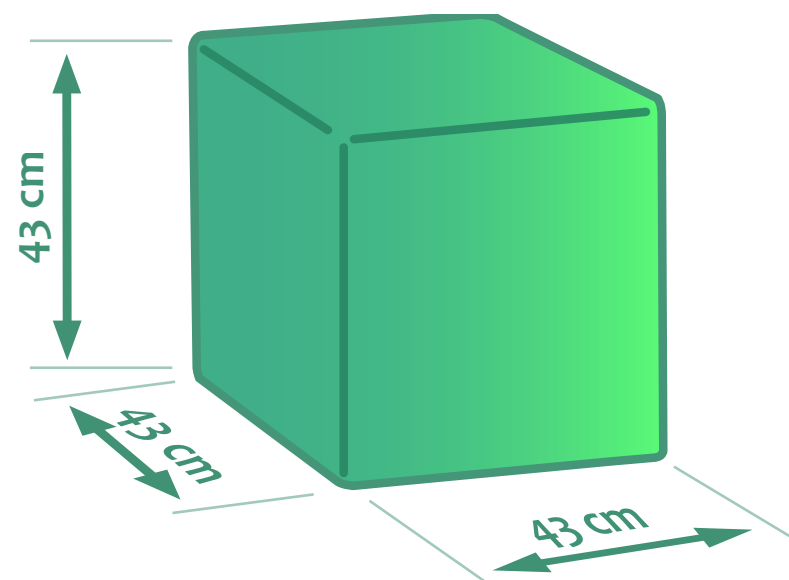
PE

# CUBE 43



Decoration element in the form of a cube. Indicated for a multitude of spaces for both public and private use. Made of polyethylene. Resistant to water, snow, UV rays ... Ideal to be used both indoors and outdoors.

It can be purchased in bright colors or white; with white light connected to the mains or battery-powered RGB lamp.



PE

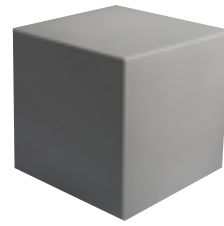
## Color Models



BLACK  
RAL 9011



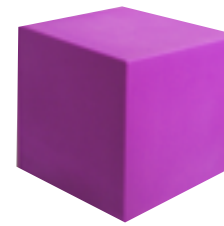
WHITE  
RAL 9003



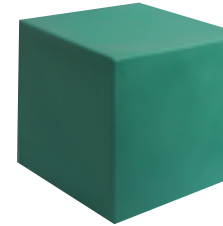
GREY  
RAL 7021



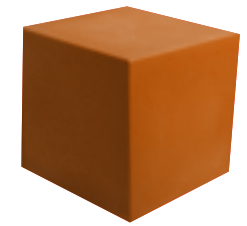
PINK  
RAL 4010



PURPLE  
RAL 4001



DARK GREEN  
RAL 6016



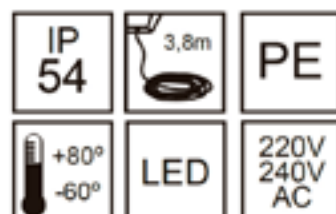
ORANGE  
RAL 2009



## White light / With cable



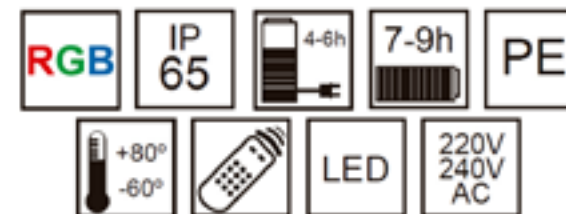
Made of polyethylene and illuminated with LED technology. Connection to the electrical network through a 3.8m long cable.



## RGB / With battery



Suitable for indoor and outdoor use. Resistant to rain, snow, sun ... Universal remote control (included). 5 different lighting modes, IP 65 and cable charging.



# PUF-TABLE SUNDARA



Decoration element in a cylindrical shape. Indicated for a multitude of spaces for both public and private use. Made of polyethylene. Resistant to water, snow, UV rays ... Ideal to be used both indoors and outdoors.

It can be purchased in bright colors or white; with white light connected to the mains or battery-powered RGB lamp.



PE

## Color Models



WHITE  
RAL 9003



GREY  
RAL 7021



PINK  
RAL 4010



PURPLE  
RAL 4001



BLACK  
RAL 9011



DARK GREEN  
RAL 6016



ORANGE  
RAL 2009

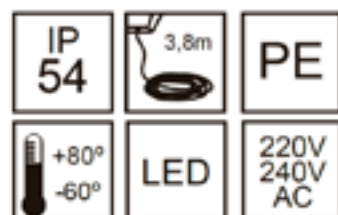
PE

## Illuminated Colors

### White light / with cable



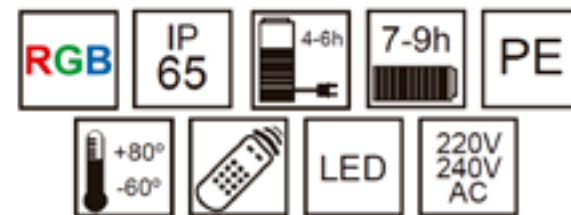
Made of polyethylene and illuminated with LED technology. Connection to the electrical network through a 380cm long cable.



### RGB / With battery

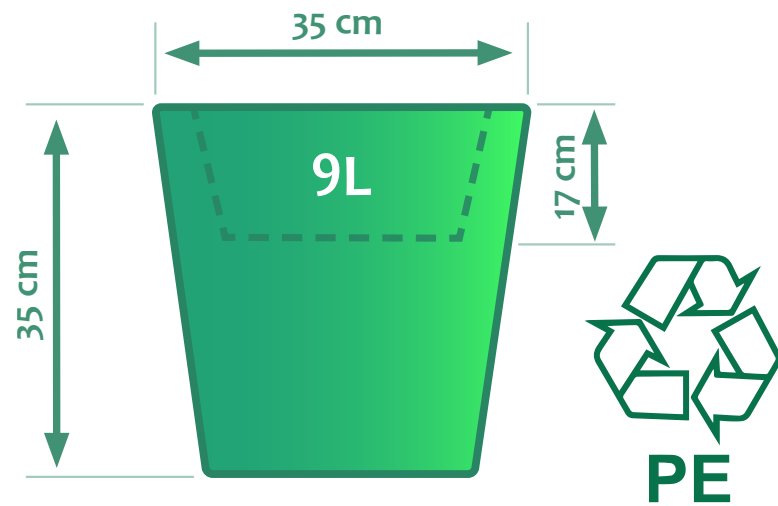


Suitable for indoor and outdoor use. Resistant to rain, snow, sun ... Universal remote control (included). Five different lighting modes, IP 65 and cable charging.



PE

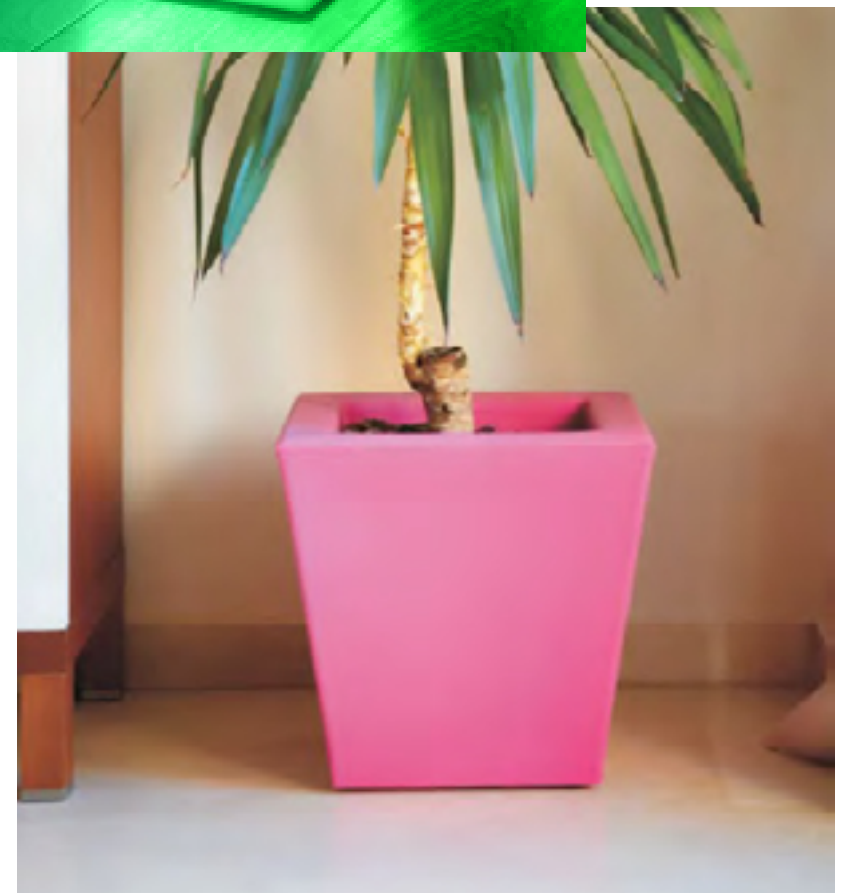
# PLANT POTS



New avant-garde concept of indoor and outdoor decoration pot.

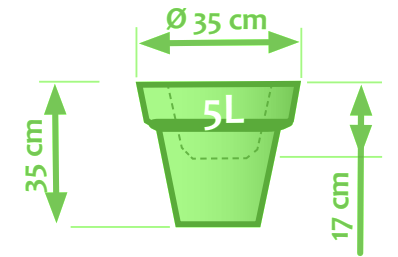
Made of high quality polyethylene with great resistance to impacts. Resistant to water, snow, UV rays ...

It can be purchased in color or in white or orange illuminated with white light connected to the electrical network.

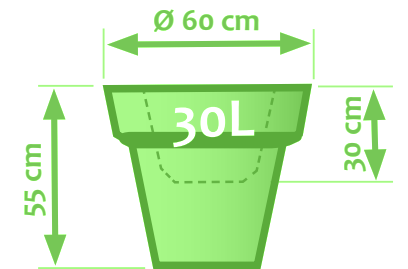


PE

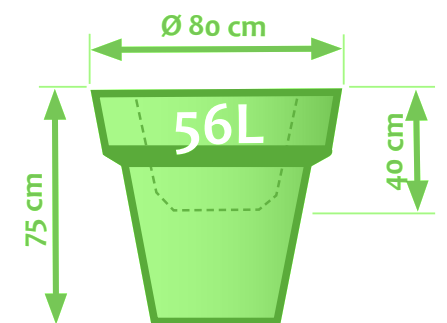
# ROUND PLANT POTS



Mod. 35 cm



Mod. 60 cm



Mod. 80 cm



PE

## Color Plant Pots

35 cm



60 cm



80 cm



WHITE

GREY

PINK

PURPLE

BLACK

DARK GREEN

ORANGE

RAL 9003

RAL 7021

RAL 4010

RAL 4001

RAL 9011

RAL 6016

RAL 2009

PE

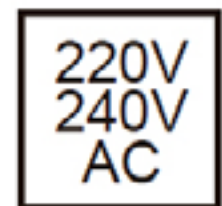
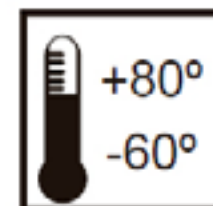
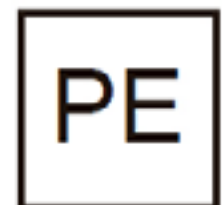
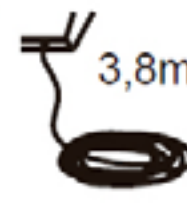
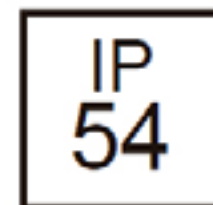


The illuminated pots are suitable for outdoor and indoor use, and can be adapted to any garden, terrace, living room ... They serve as an elegant planter during the day and also as decorative lighting at night.

Made of polyethylene, highly resistant to impacts and wear. They come in three sizes.

Cable length: 380cm.

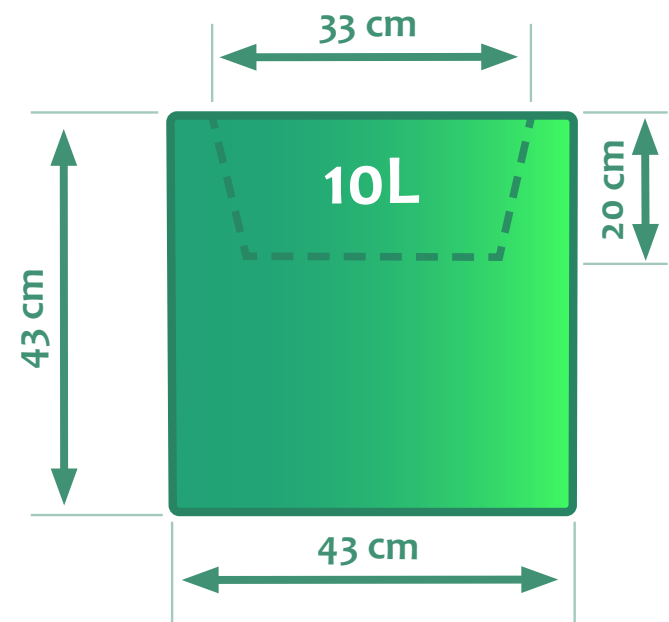
Weather resistance, IP54.



PE



# SUNDARA



Illuminated

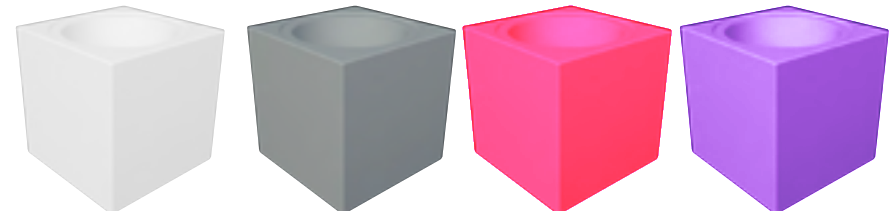
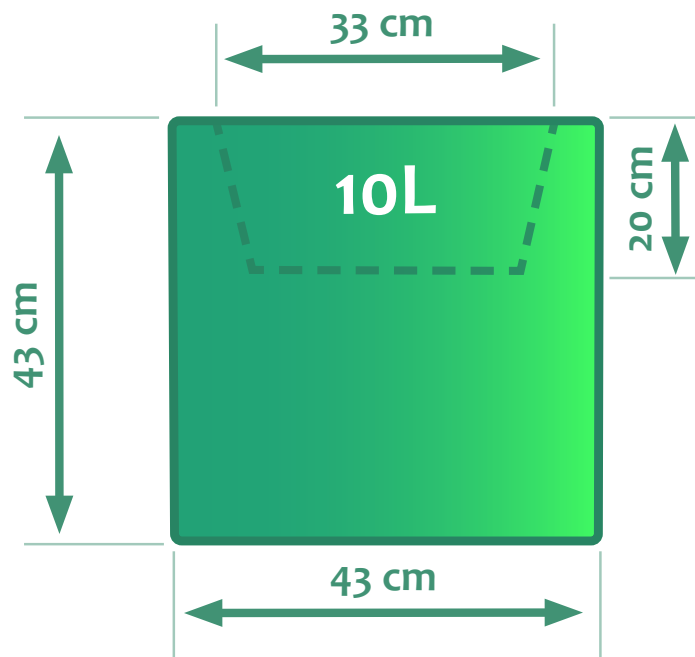
IP 54	3,8m	PE
+80° -60°	LED	220V 240V AC

## Sundara color



The Sundara Plant Pot is a decorative piece. Suitable for both indoors and outdoors. It fulfills its function as a planter and adds visual value to the space. Made of polyethylene.

# PLANT POT CUBE 43

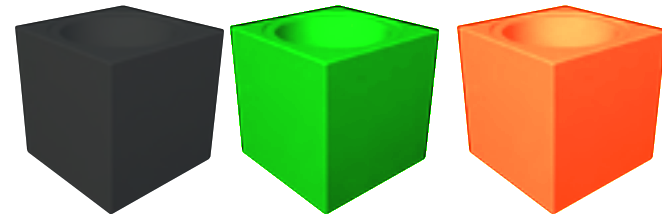


WHITE  
RAL 9003

GREY  
RAL 7021

PINK  
RAL 4010

PURPLE  
RAL 4001



BLACK  
RAL 9011

DARK GREEN  
RAL 6016

ORANGE  
RAL 2009

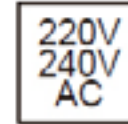
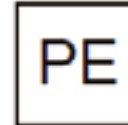
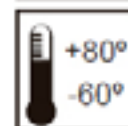
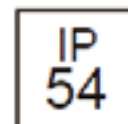
Decoration pot for interior and exterior. With square proportions, it brings personality to many spaces.

Made of high quality polyethylene with great resistance to impacts. Resistant to water, snow, UV rays ...

It can be purchased in color or in white or orange illuminated with white light connected to the electrical network.

Cable length: 380cm.

Weather resistance, IP54.



PE

# LARGE PLANTERS



Planters made of **fiberglass reinforced polyester (FRP)**

High quality handmade manufacturing. Lightweight, waterproof and anticorrosive material, that does not deform or crack over time.

The fiber reinforcement makes them very resistant and the coating makes them resistant to the weather conditions.

Reinforced frame inside for greater robustness Easy to install and clean.

They do not require any special maintenance. Glossy finish with UV protection.

Ideal for terraces, businesses, gardens and public spaces.

Available in 3 large sizes.

At the customer's request we can make the holes for drainage.

## AVAILABLE COLORS:

GREY  
RAL7040

WHITE  
RAL 9016

PURPLE  
RAL 4005

RED  
RAL 3020

ORANGE  
RAL 2009

YELLOW  
RAL 1018

LIGHT  
GREEN  
RAL 6018

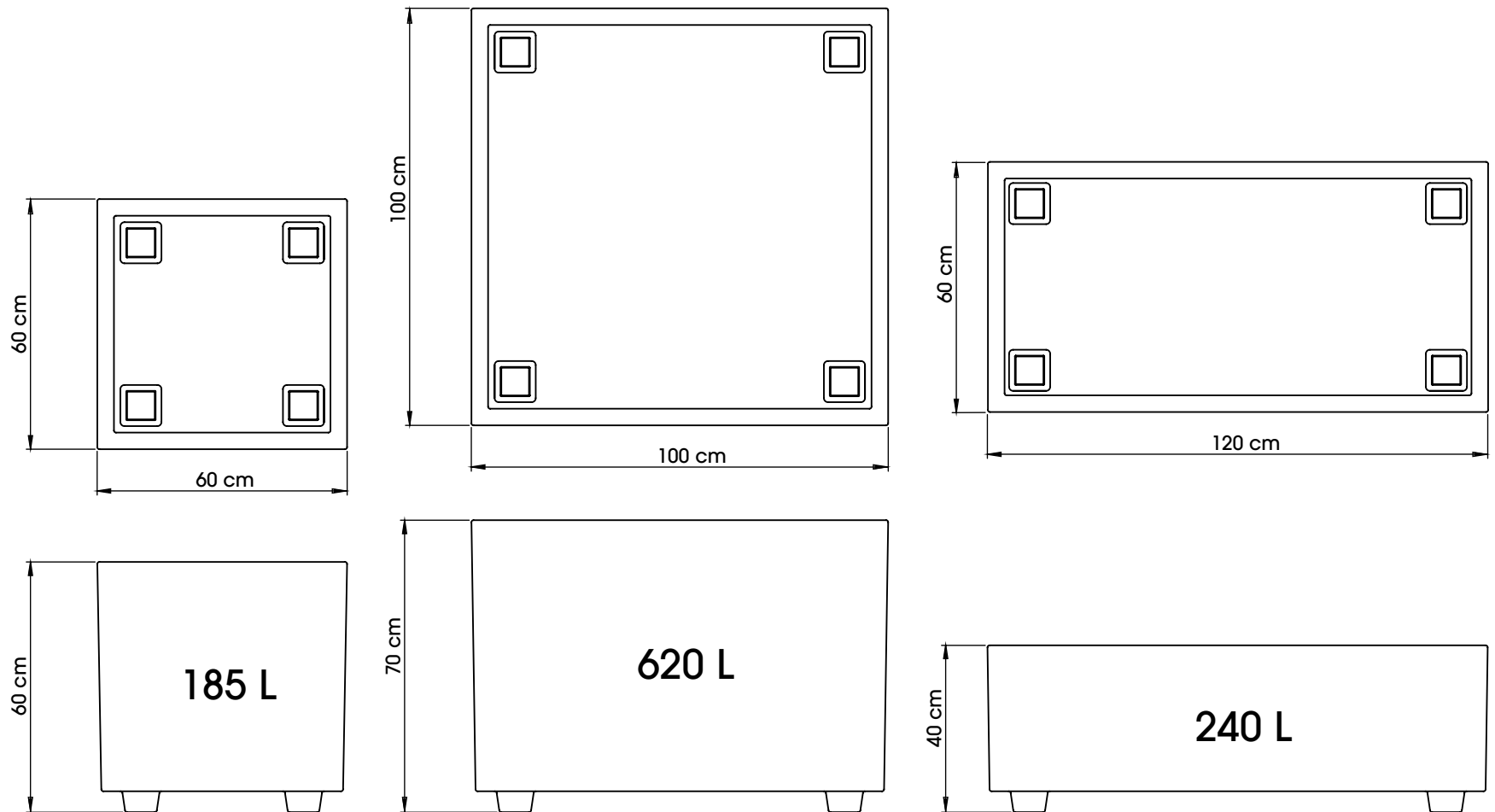
DARK  
GREEN  
RAL 6029

BLUE  
RAL 5015

**Molder Disnova Composites**  
[www.molderdisnova.com](http://www.molderdisnova.com)



# LARGE PLANTERS



Consult us  
for tailored  
manufacture

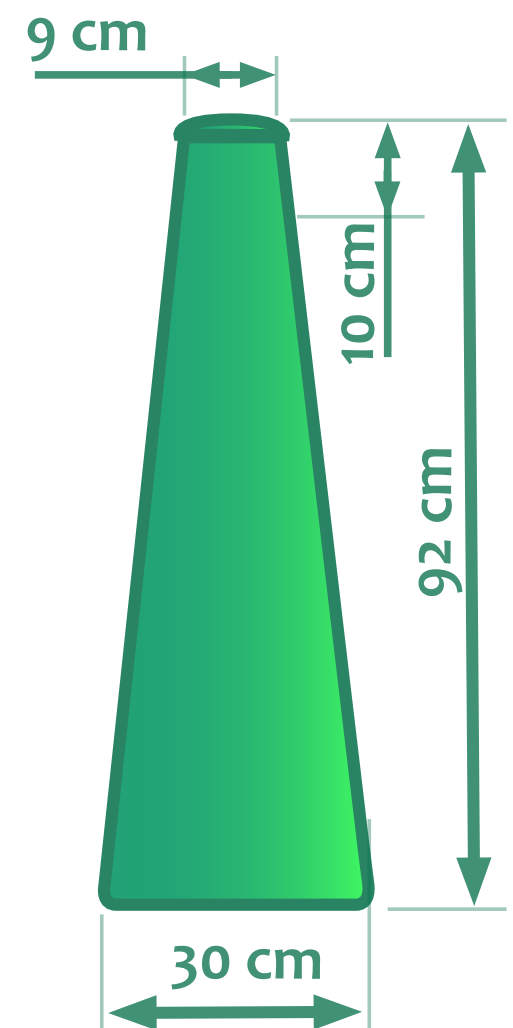


# ASHTRAY CONO

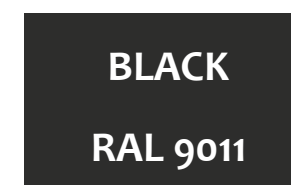
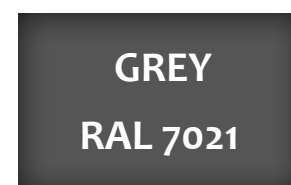
Exclusive design standing ashtray, intended to be used as a decorative element at entrances to hotels, restaurants, cafes and all kinds of terraces.

Available in various colors. Made of 100% recyclable PE.

Easy-to-remove aluminum container for a more comfortable cleaning.



## AVAILABLE COLORS:

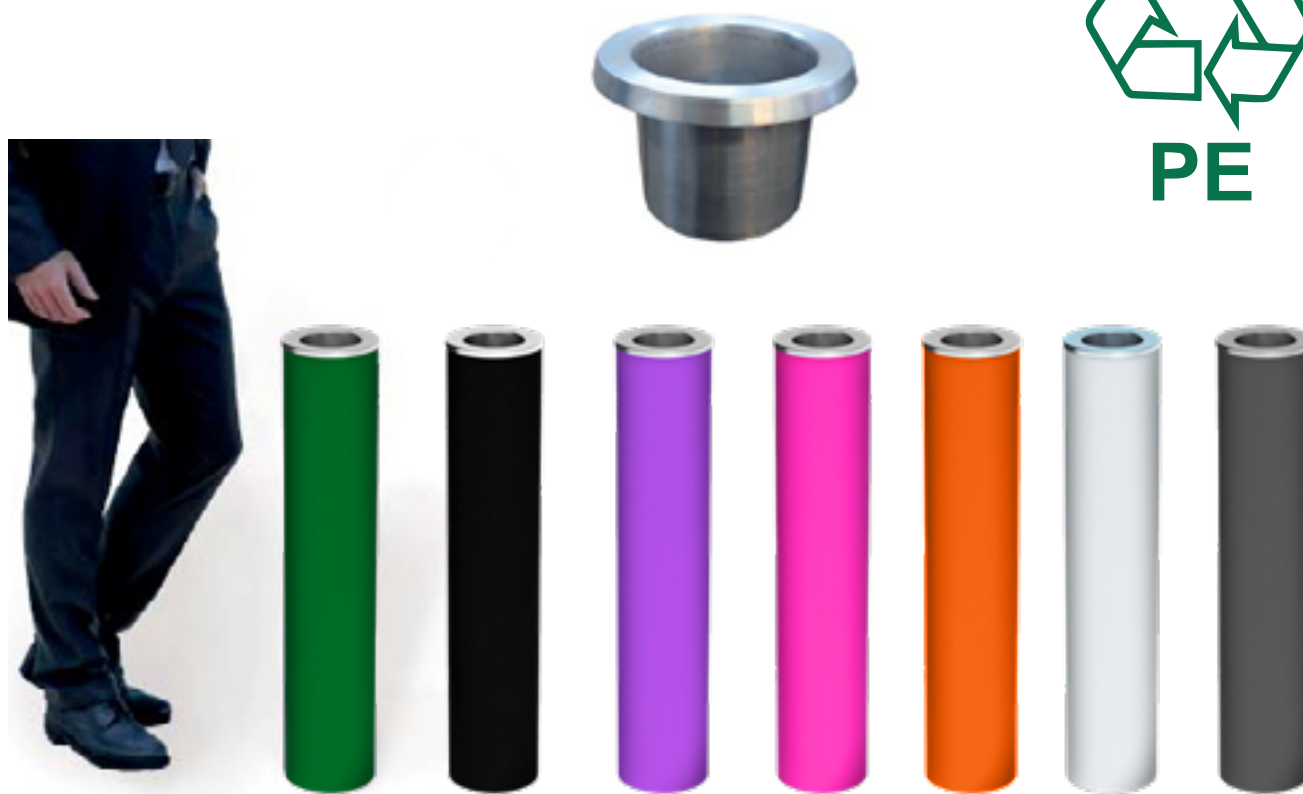
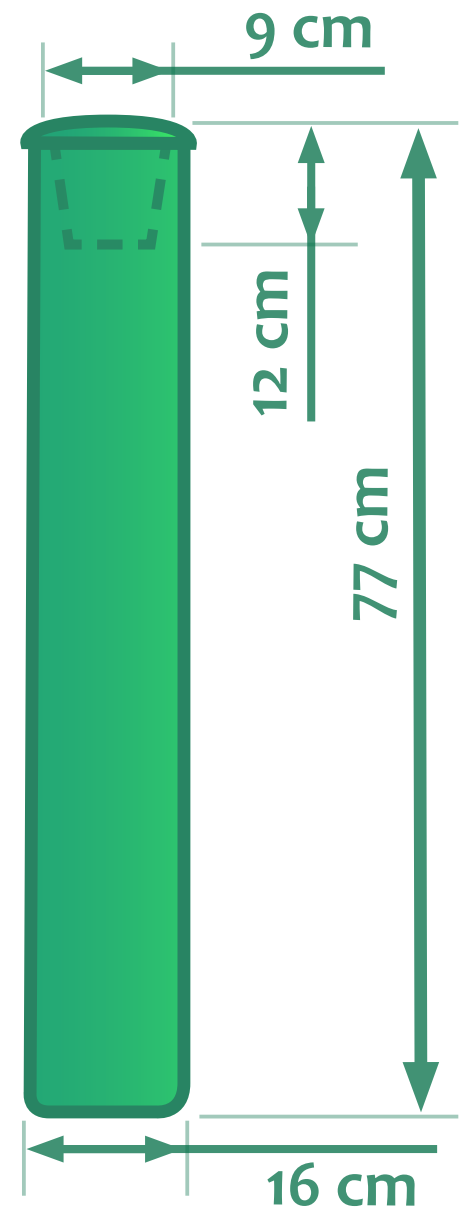


# ASHTRAY CYLINDER

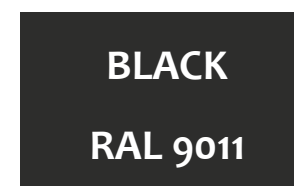
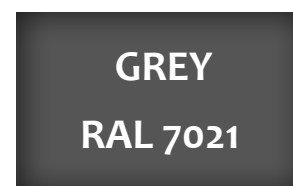
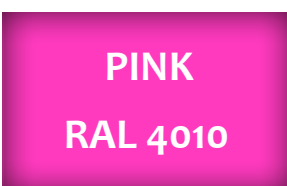
Exclusive design standing ashtray for the entrances of buildings and gardens. Due to its materials: plastics, composites and stainless metals, it is an excellent solution for outdoor use.

Available in various colors. Made of 100% recyclable PE.

Easy-to-remove container for a more comfortable cleaning.



## AVAILABLE COLORS:



md

Molder Disnova Composites

